

Spare parts list

Edition 20110929



Valid for serial no. 001-xxx-xxxx,034-xxx-xxxx

Ordering no. Product

0558 007 234 Powercut™ 1600, CE 3ph 400V

0558 007 235 Powercut™ 1600, CE 3ph 400V, with 7.6m PT-38 torch

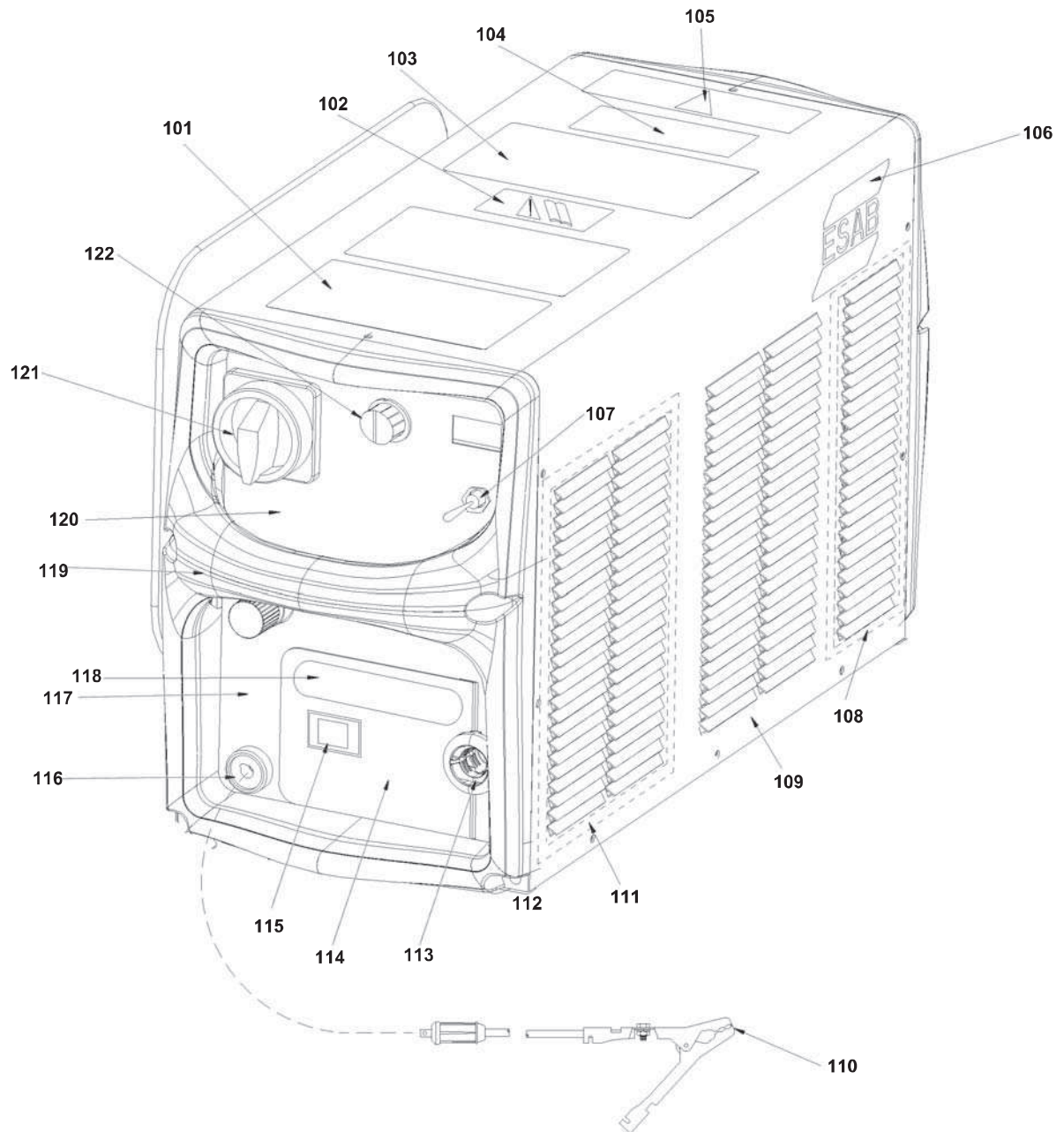
Spare parts are to be ordered through the nearest ESAB agency. Kindly indicate type of unit, serial number, denominations and ordering numbers according to the spare parts list.

Maintenance and repair work should be performed by an experienced person, and electrical work only by a trained electrician. Use only recommended spare parts.

C = component designation in the circuit diagram

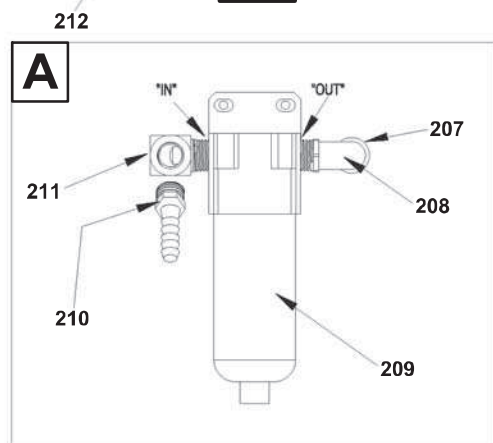
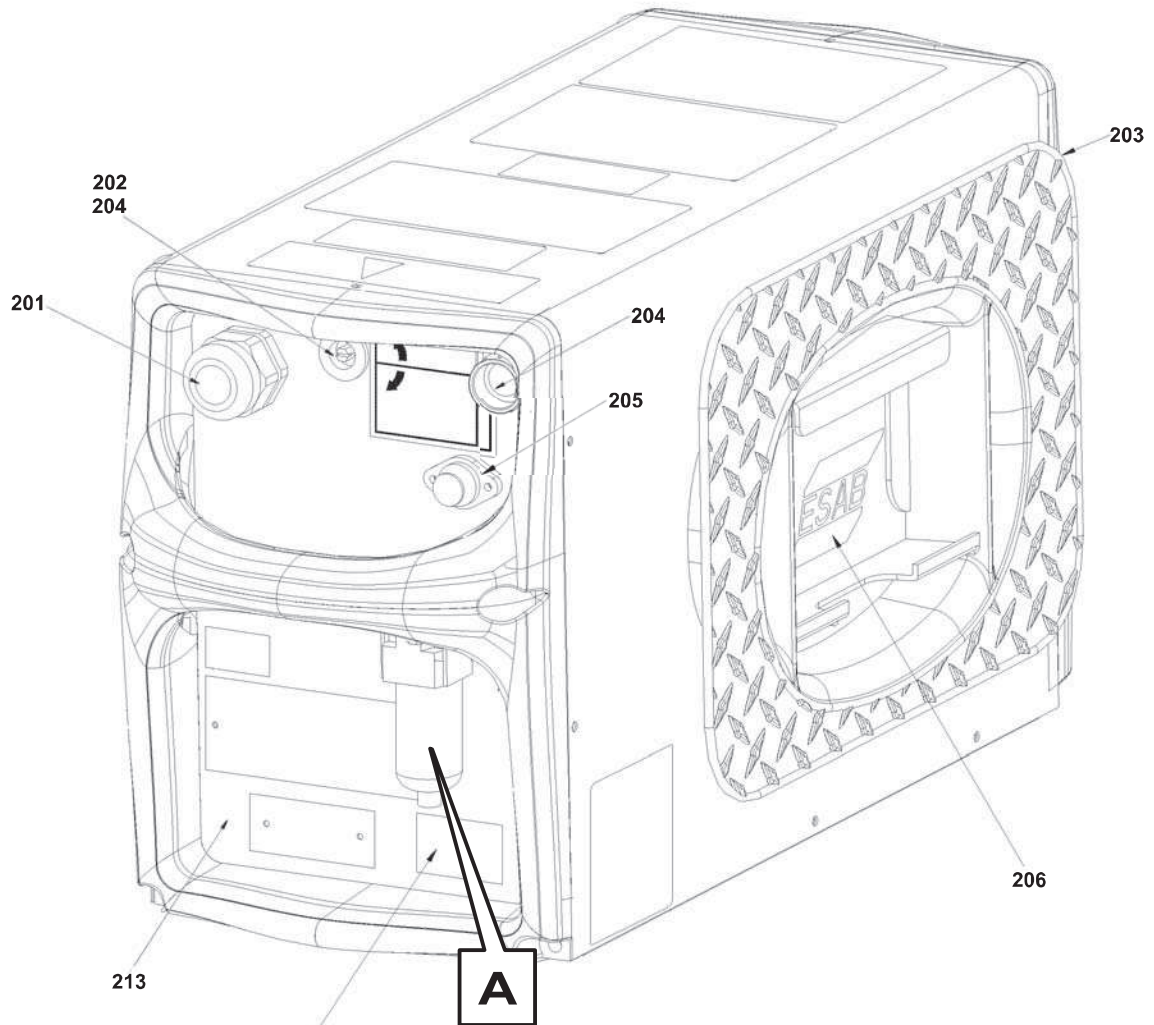
Item	Qty	Ordering no.	Denomination	Notes	C
101			Label warning general arc weld and cut	FR	
102			Label symbol caution read manual		
103			Label consumable breakdown	PT-38 CE	
104			Label warning OEM safety interlock	BL	
105			Label danger high voltage	BL	
106			Label ESAB die cut		
107	1	0558 000 596	Switch seal		
108	1	0558 009 122	Screen splash small		
109	1	0558 007 199	Cover top		
110	1	0558 007 195	Cable work		
111	1	0558 009 141	Screen splash large		
112	4	0558 008 603	Foot rubber		
113	2	0558 007 460	Strain relief half torch cable		
114	1	0558 007 205	Door access		
115	1	0558 007 069	Latch sliding		
116	1	0558 007 074	Socket panel	250A	WORK
117	1	0558 007 197	Panel front		
118	2	0558 954 070	Overlay front panel		
119	2	0558 006 911	End cap/handle		
120	1	0558 005 434	Switch power	60A/600VAC 3PH	SW1
121	1	0558 001 818	Knob	34.7mm.	

Powercut™ 1600



C = component designation in the circuit diagram

Item	Qty	Ordering no.	Denomination	Notes	C
201	1	0558 002 581	Strain relief	Sealed 1" nylon	
201	2	0558 004 266	Locknut	Conduit 1"	
202	5	0558 000 584	Grommet rubber		
203	1	0558 006 909	Torch wrap		
203	4	0349 312 273	Nut acorn cap	Nylon 1/4-20	
204	4	0559 000 127	Plug hole		
205	1	0558 001 379	Fuse	2A/600V	F1
205	1	0558 000 516	Holder fuse		
205	1	0349 312 614	O-ring	19x2	
206			Label ESAB die cut		
207	1	0559 000 068	Bushing snap		
208	2	0558 004 184	Elbow	90° , 5/16 OD tube 1/4 NPTM	
208	0.54	0559 000 185	Hose	Polyurethane 3/16 ID 5/16 OD	
209	1	0558 007 076	Filter air		
210	1	0004 492 009	Adaptor	1/4 NPTM 1/4 ID hose	
210	1	0559 000 076	Closure tapered caplug	#4	
210	1	0349 312 612	Quick connector		
211	2	0558 006 292	Elbow street	90° 1/4 NPT	
212			Label patent power supplies	BL	
213	1	0558 007 198	Panel rear	Silk screened	

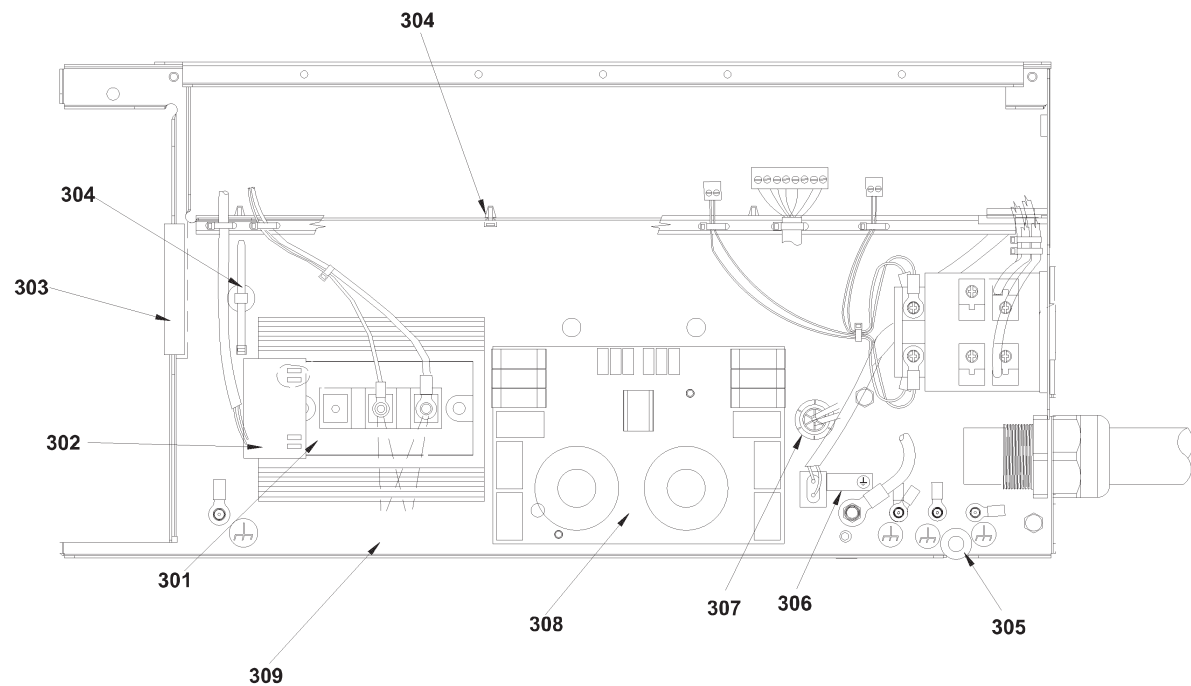


C = component designation in the circuit diagram

Item	Qty	Ordering no.	Denomination	Notes	C
301	1	0558 008 823	Heatsink	PA IGBT	HS2
301	1	0558 007 886	Module	IGBT 50A/1200V, Use with item 350	Q103
302	1	0558 038 344	PC board driver pilot arc		PCB5
303	0.06	0349 487 121	Grommet strip rubber		
304	5	0558 008 611	Cable tie swivel base		
305	4	0559 000 053	Grommet rubber		
306			Label PE ground		
307	2	0558 007 073	Grommet rubber		
308	1	0558 038 378	PC board EMC filter		PCB7
308	1	0558 009 269	Insulator PLTE EMC filter PCB		
309	1	0558 007 895	Varistor kit	275VAC 140J	D4.5

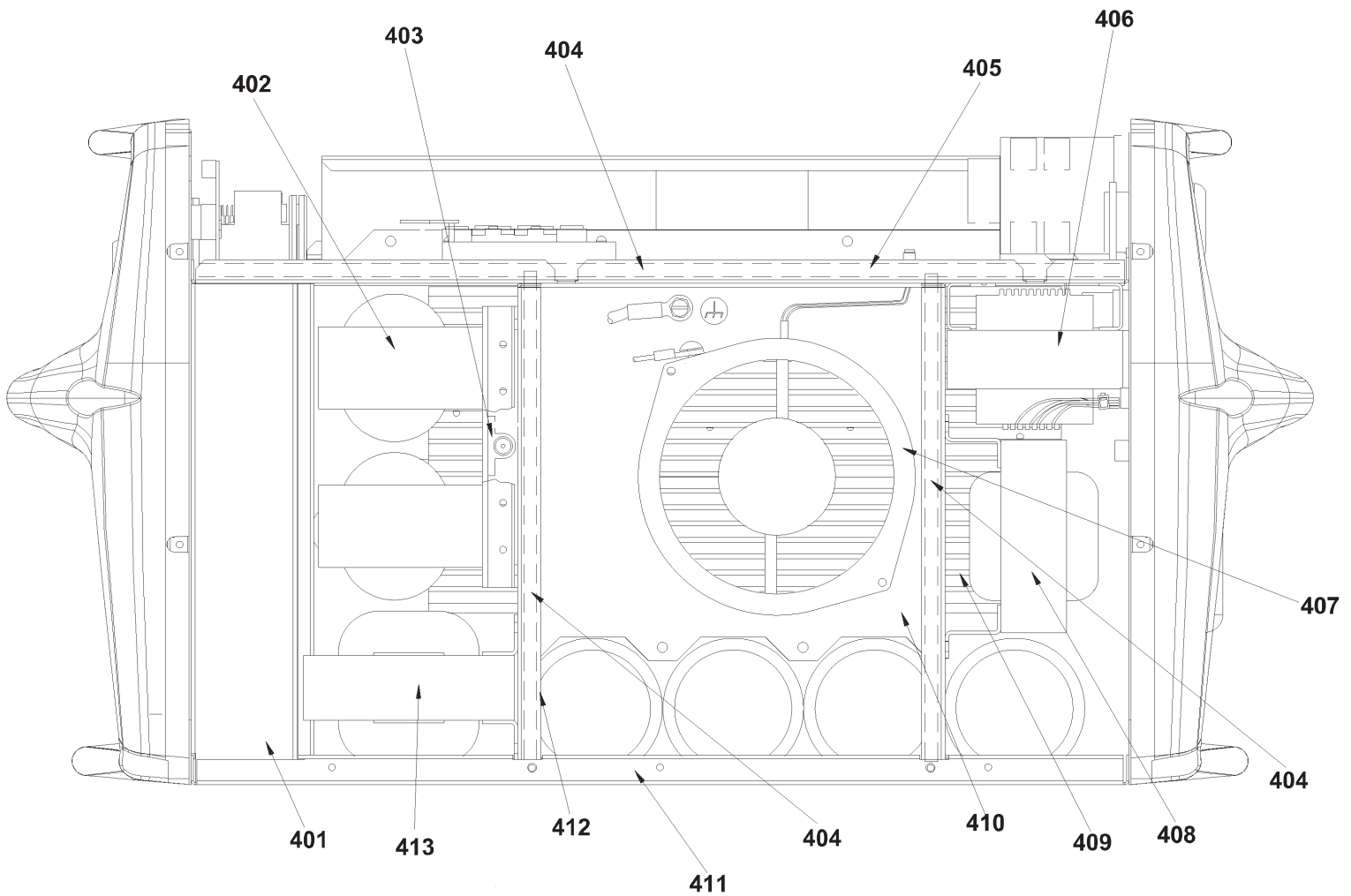
SPARE PARTS SETS

Item	Ordering no.	Denomination	Notes
350	0192 058 101	Thermal compound	Use item 351 to spread paste
351	0458 910 001	Roller	Use with item 352
352	0458 910 002	Roller handle	



C = component designation in the circuit diagram

Item	Qty	Ordering no.	Denomination	Notes	C
401	1	0558 007 204	Box	PCB	
402	1	0558 007 190	Main transformer	400V	T1
403	1	0559 000 091	Resistor	0.1OHM 25W	R2
404	0.95	0349 310 691	Strip rubber foam		
405	1	0558 007 203	Shelf		
406	1	0558 007 188	Control transformer	208/230/400/460V	T2
406	2	0559 000 065	Wire joint		
407	1	0558 008 454	Fan	162mm. 250 CFM 230 VAC	M1/P3
408	1	0558 008 732	Inductor input		L1
409	1	0558 007 154	Heatsink power		HS1
410	1	0558 007 202	Bracket fan		
411	1	0558 007 196	Base		
412	1	0558 007 201	Bracket fan		
413	1	0558 007 152	Inductor output		L2
413	1	0558 007 892	Switch thermal	NIC 80° C SOL DER	TS2

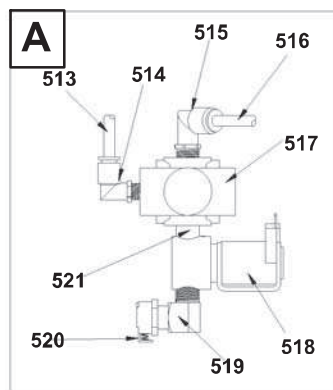
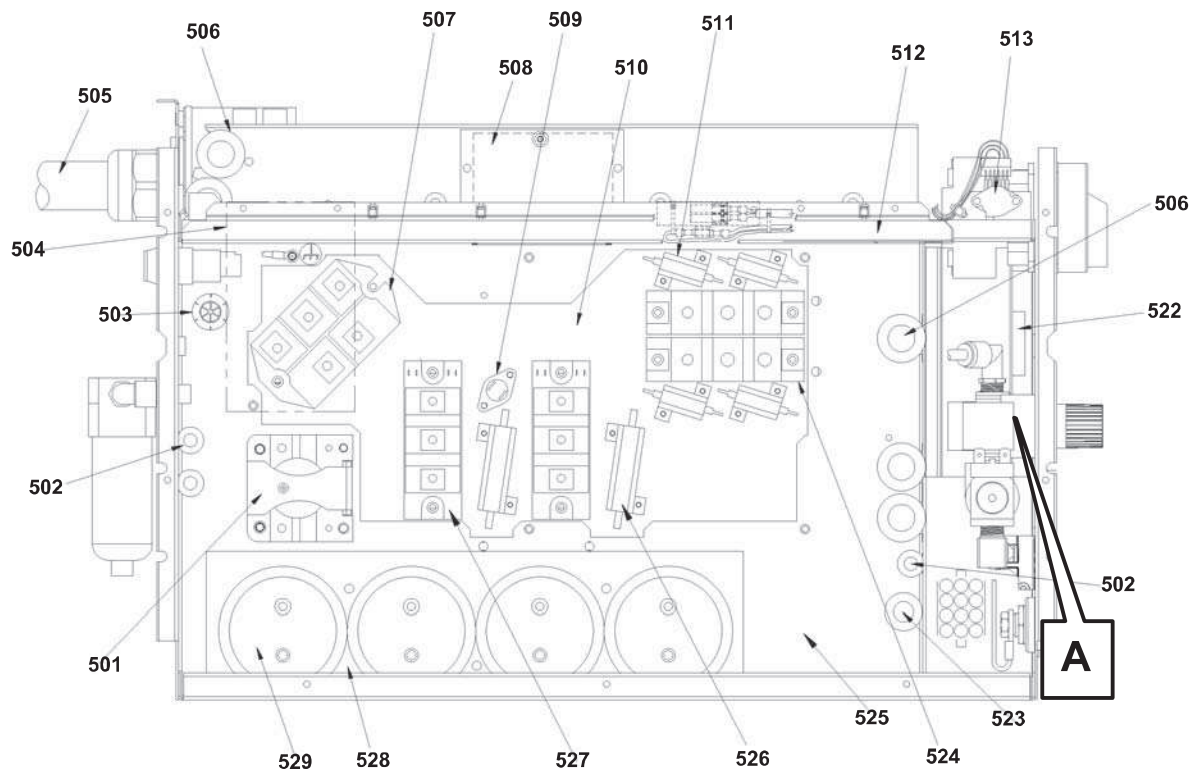


C = component designation in the circuit diagram

Item	Qty	Ordering no.	Denomination	Notes	C
501	1	0558 002 576	Relay	24 VAC 20A/110 VDC	K1
502	4	0559 000 053	Grommet rubber		
503	2	0558 007 073	Grommet rubber		
504	1	0558 008 065	Sheet insulating	(159x76mm.) Nomex	
505	1	0349 312 598	Cable input power	4x6mm ² with plug 32A	
506	5	0558 000 584	Grommet rubber		
507	1	0558 007 068	Bridge rectifier	110A/1600V, Use with item 550	BR101
508	1	0558 008 969	Plate cover heatsink bracket		
509	1	0004 487 055	Switch thermal	NIC 80°C terminal	TS1
510	1	0558 007 154	Heatsink power		HS1
511	2	0558 008 081	Resistor pair	200HM 25W, Use with item 550	R5,7,R10,12
512	1	0558 007 888	Brace shelf		
513	1	0558 008 354	Transducer pressure		PT
514	1	0558 007 075	Elbow	90°, 1/4 OD tube 1/8 NPTM	
515	2	0558 004 184	Elbow	90°, 5/16 OD tube 1/4 NPTM	
516	0.54	0559 000 185	Hose	Polyurethane 3/16 ID 5/16 OD	
517	1	0558 007 071	Regulator pressure	7-125 PSI	
518	1	0558 007 072	Valve solenoid	3-way 75 PSID 24 VAC	SOL1
519	2	0558 006 292	Elbow street	90° 1/4 NPT	
520	1	0558 005 635	Coupling body	QD 1/4 NPTM	
521	1	0558 000 568	Nipple	1/4 NPT 7/8 " LG	
522	1	0558 038 317	PC board control display		PCB1
523	1	0559 000 028	Grommet rubber		
524	2	0558 009 256	Output diode	100A/600V, Use with item 550	D101,102
525	1	0558 007 200	Bracket heatsink		
526	2	0559 000 088	Resistor	100HM 50W, Use with item 550	R14,15
527	2	0558 008 052	Module	IGBT 200A/600V, Use with item 550	Q101,102
528	2	0558 009 167	Sheet sealing capacitors		
529	4	0558 007 161	Capacitor	4100uF 300VDC	C101-104

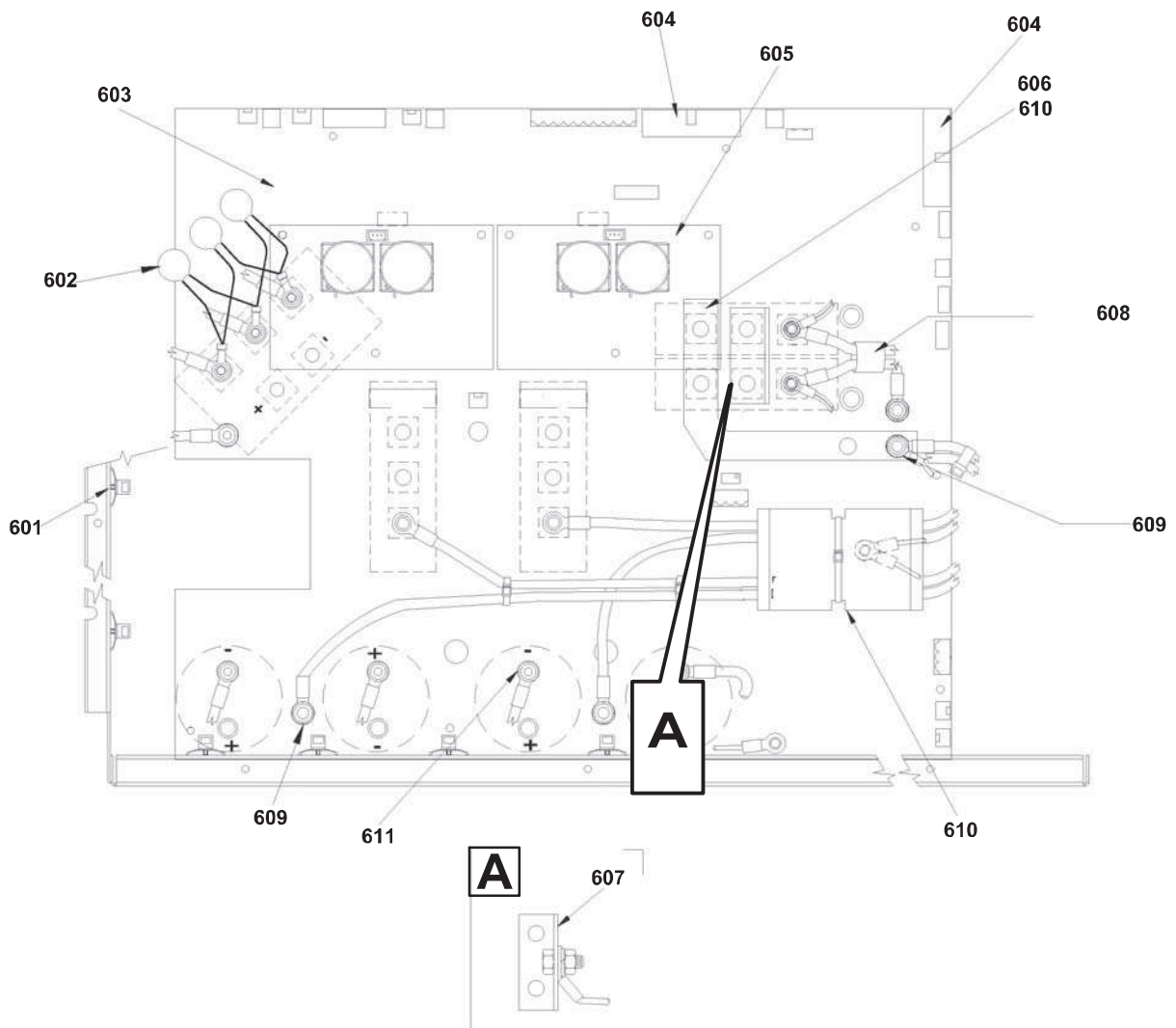
SPARE PARTS SETS

Item	Ordering no.	Denomination	Notes
550	0192 058 101	Thermal compound	Use item 551 to spread paste
551	0458 910 001	Roller	Use with item 552
552	0458 910 002	Roller handle	







Powercut™ 1600

Item	Qty	Ordering no.	Denomination	Notes
601	4	0558 005 154	Cable tie push-in	
602	1	0558 007 738	Varistor kit	625 VAC 230 J
603	1	0558 038 380	PC board power	90A 400V
603	7	0349 312 223	Standoff	Alum female #6-32 HEX 1- 1/8 " LG
604	2	0558 007 217	Ribbon cable	24 PIN
605	2	0558 038 335	PC board driver power	
605	6	0558 008 902	Standoff	Nylon PCB rivet MT 7/8 " LG
605	6	0558 008 903	Rivet snap	Nylon
606	1	0558 007 180	Bussbar diode	(+)
607	1	0558 007 181	Bussbar diode	(-)
608	1	0558 009 403	Ferrite core	25.4x31.8x19.1mm.
609	5	0558 007 159	Spacer alum	1/4 ID 7/16 " LG
610	1	0558 007 891	Spacer cable bundle	
611	4	0558 007 160	Spacer	Alum #10 ID 1.0 " LG



Powercut™ 1600

Accessories

	<p>Trolley 0558 007 898</p>
	<p>Gas flow measuring kit 0558 000 739</p>
	<p>Water separator 0558 007 897</p>
	<p>PT38 torch, 15.2 m 0558 006 787</p>

NOTE! If any ordering number is unavailable please contact ESAB product responsible.

Spare parts list

Edition 20111010



Valid for serial no. 001-xxx-xxxx, 034-xxx-xxxx

Ordering no.	Product
0558 007 636	Powercut™ 1600, 400V
0558 007 637	Powercut™ 1600, 400V 25ft
0558 007 237	Powercut™ 1600, 575V BL
0558 007 238	Powercut™ 1600, 575V BL 25ft
0558 008 323	Powercut™ 1600, 460V
0558 007 23A	Powercut™ 1600, 230/460V BL 25ft
0558 007 230	Powercut™ 1600, 230/460V
0558 007 231	Powercut™ 1600, 230/460V 25ft

Spare parts are to be ordered through the nearest ESAB agency. Kindly indicate type of unit, serial number, denominations and ordering numbers according to the spare parts list.

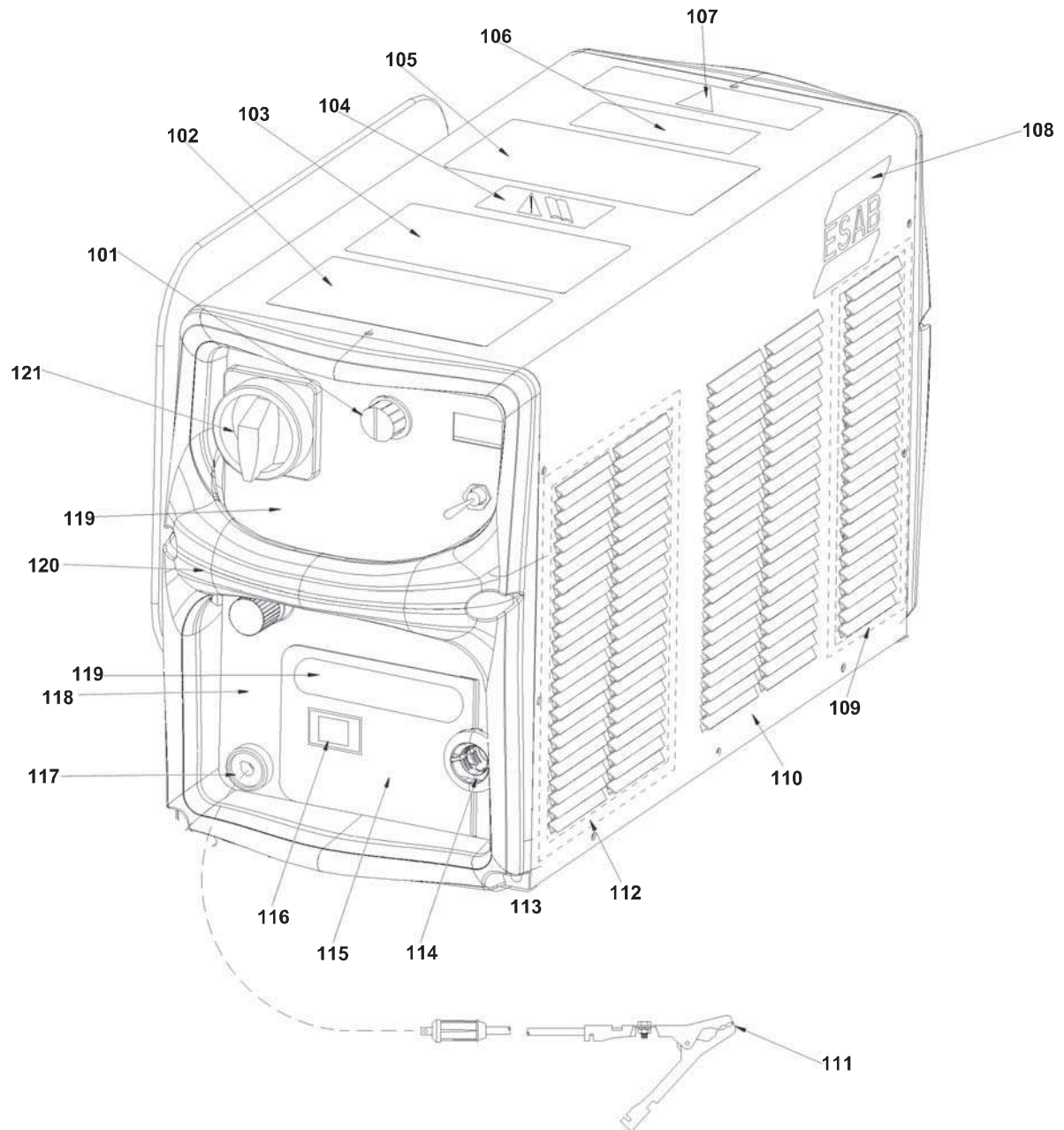
Maintenance and repair work should be performed by an experienced person, and electrical work only by a trained electrician. Use only recommended spare parts.

Rights reserved to alter specifications without notice.

C = component designation in the circuit diagram

Item	Qty 400V	Qty 575V BL	Qty 460V	Qty 230/ 460V	Ordering no.	Denomination	Notes	C
101	1	1	1	1	0558 001 818	Knob	34.7mm	
102						Label warning general arc weld and cut		
103						Label warning general arc weld and cut FR		
104						Label symbol caution read manual		
105						Label consumable breakdown	PT-38 BL	
106						Label warning OEM safety in- terlock BL		
107						Label danger high voltage BL		
108						Label ESAB die cut		
109	1	1	1	1	0558 009 122	Screen splash	Small	
110	1	1	1	1	0558 007 199	Cover top		
111	1	1	1	1	0558 007 195	Cable work		
112	1	1	1	1	0558 009 141	Screen splash	Large	
113	4	4	4	4	0558 008 603	Foot	Rubber	
114	2	2	2	2	0558 007 460	Strain relief half torch cable		
115	1	1	1	1	0558 007 205	Door access		
116	1	1	1	1	0558 007 069	Latch sliding		
117	1	1	1	1	0558 007 074	Socket panel	250A	WORK
118	1	1	1	1	0558 007 197	Panel front		
119		1	1	1	0558 954 069	Overlay front panel BL		
119	1				0558 954 070	Overlay front panel		
120	2	2	2	2	0558 006 911	End cap/ handle		
121	1	1	1	1	0558 005 434	Switch power	60A/600VAC 3PH	SW1

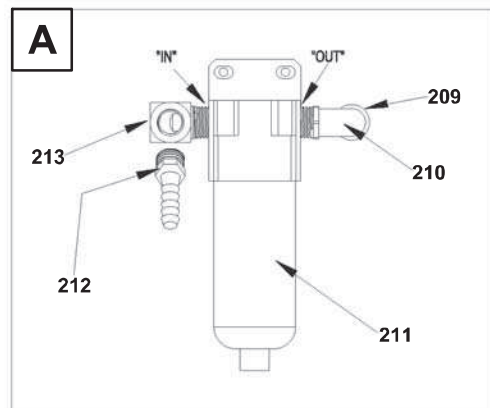
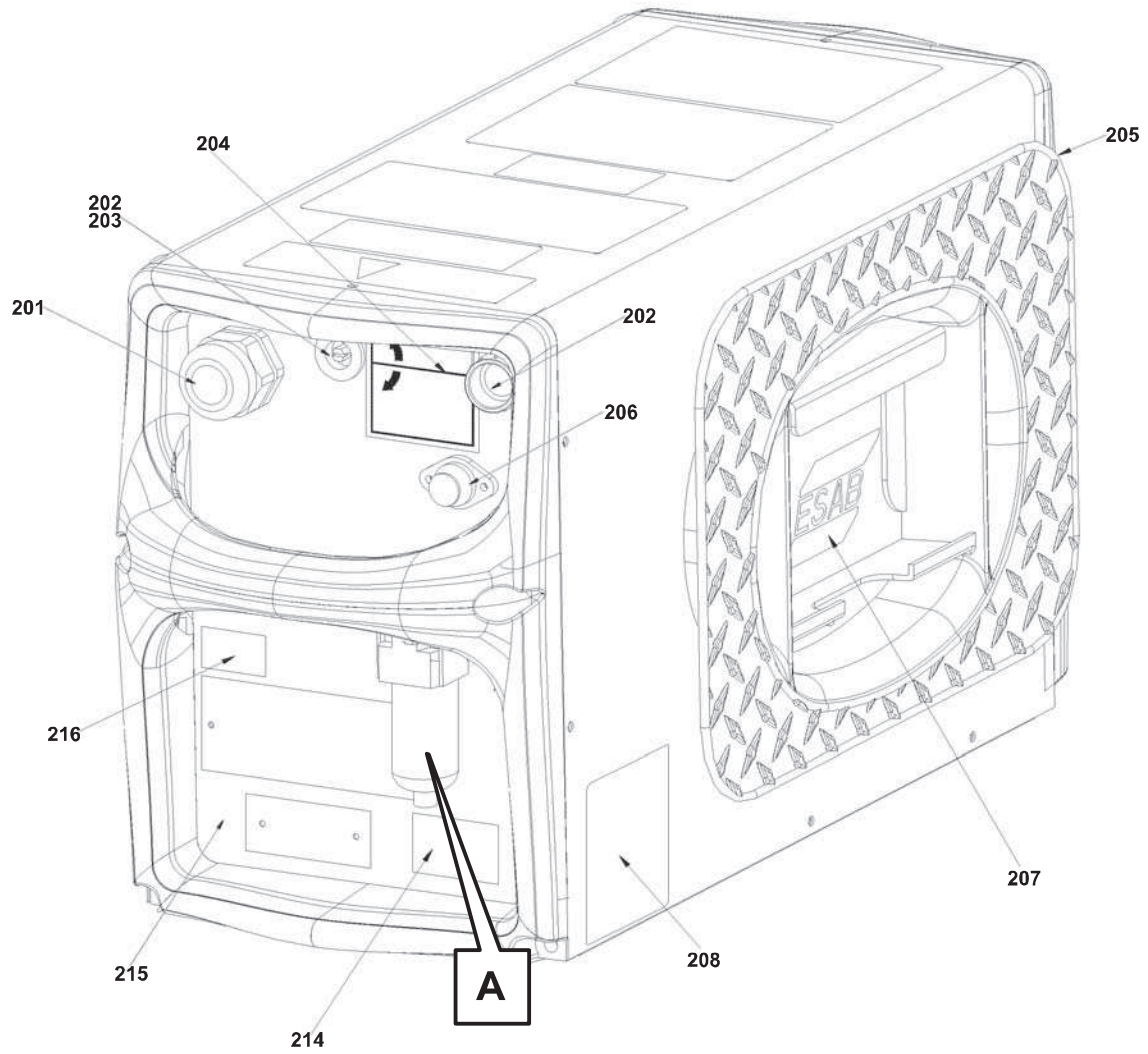
Powercut™ 1600



C = component designation in the circuit diagram

Item	Qty 400V	Qty 575V BL	Qty 460V	Qty 230/ 460V	Ordering no.	Denomination	Notes	C
201	1	1	1	1	0558 002 581	Strain relief sealed	1" nylon	
201	2	2	2	2	0558 004 266	Lock nut conduit	1"	
202	2	2	2	1	0559 000 127	Plug hole		
203	5	5	5	6	0558 000 584	Grommet	Rubber	
204						Label caution voltage select switch BL		
205	1	1	1	1	0558 006 909	Torch wrap		
205	4	4	4	4	0349 312 273	Nut acorn cap	Nylon 1/4-20	
206	1	1	1	1	0558 001 379	Fuse	2A/600V	F1
206	1	1	1	1	0558 000 516	Holder fuse		
207						Label ESAB die cut		
208						Label customer assistance		
209	1	1	1	1	0559 000 068	Bushing snap		
210	2	2	2	2	0558 004 184	Elbow	90°, 5/16 OD tube 1/4 NPTM	
210	0.54	0.54	0.54	0.54	0559 000 185	Hose	Polyurethane 3/16 ID 5/16 OD	
211	1	1	1	1	0558 007 076	Filter air		
212	1				0004 492 009	Adaptor	1/4 NPTM 1/4 ID hose	
212	1	1	1	1	0559 000 076	Closure tapered caplug	#4	
213	2	2	2	2	0558 006 292	Elbow street	90° 1/4 NPT	
214						Label patent power supplies BL		
215	1	1	1	1	0558 007 198	Panel rear silk screened		
216						Label CSA	LR-30071 NRTL/C	

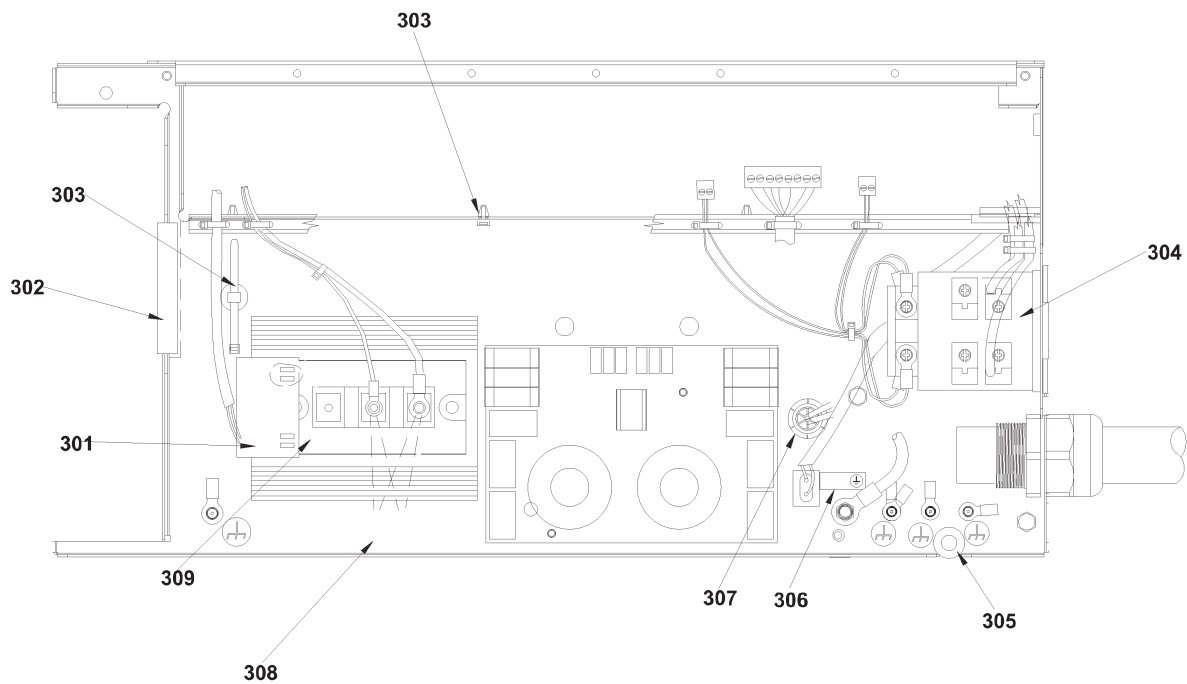
Item	Ordering no.	Denomination	Notes
250	0192 058 101	Thermal compound	Use item 251 to spread paste
251	0458 910 001	Roller	Use with item 252
252	0458 910 002	Roller handle	



C = component designation in the circuit diagram

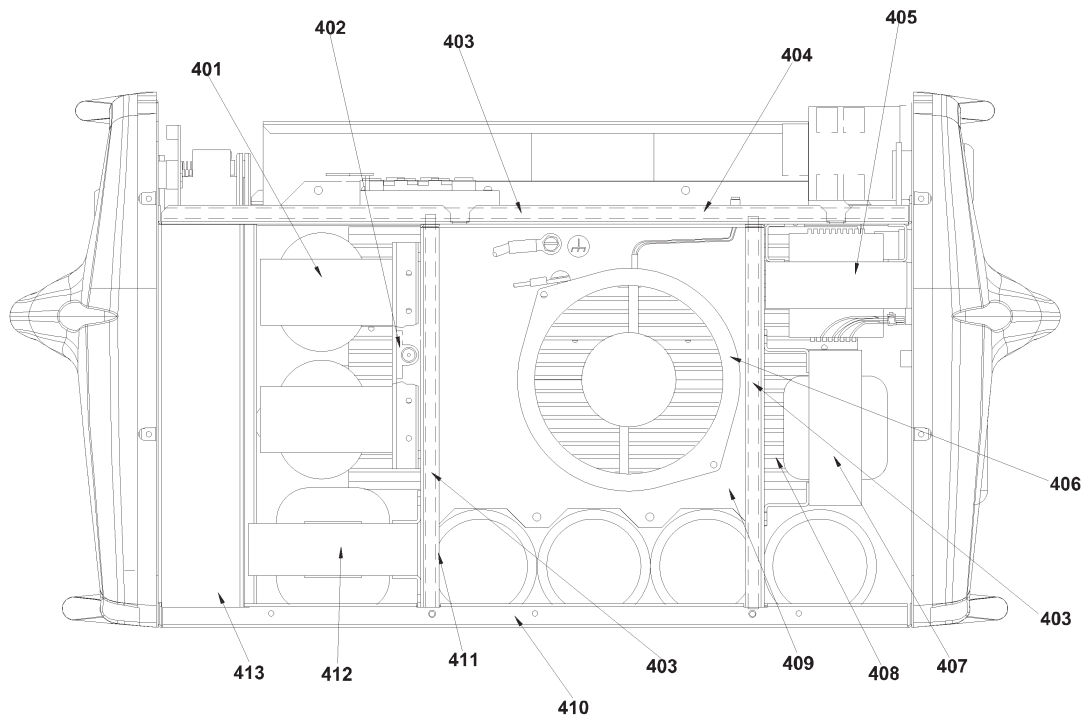
Item	Qty 400V	Qty 575V BL	Qty 460V	Qty 230/ 460V	Ordering no.	Denomination	Notes	C
301	1	1	1	1	0558 038 344	PC board driver pilot arc		PCB5
302	0.06	0.06	0.06	0.06	0349 487 121	Grommet strip	Rubber	
303	5	5	5	5	0558 008 611	Cable tie swivel base		
304				1	0558 007 183	Switch voltage selector		SW2
305	4	4	4	4	0559 000 053	Grommet	Rubber	
306						Label PE ground		
307	2	2	2	2	0558 007 073	Grommet	Rubber	
308	1	1	1	1	0558 007 895	Varistor kit	275VAC 140J	D4,5
309	1	1	1	1	0558 007 886	Module IGBT	50A/1200V, Use with item 350	Q103
309	1	1	1	1	0558 008 823	Heatsink PA IGBT		HS2

Item	Ordering no.	Denomination	Notes
350	0192 058 101	Thermal compound	Use item 351 to spread paste
351	0458 910 001	Roller	Use with item 352
352	0458 910 002	Roller handle	



C = component designation in the circuit diagram

Item	Qty 400V	Qty 575V BL	Qty 460V	Qty 230/ 460V	Ordering no.	Denomination	Notes	C
401			1	1	0558 007 189	Min transformer	208/230V	
401		1			0558 007 191	Min transformer	575V	
401	1				0558 007 190	Min transformer	400V	
402	1	1	1	1	0559 000 091	Resistor	0.1OHM 25W	
403	0.95	0.95	0.95	0.95	0349 310 691	Strip	Rubber foam	
404	1	1	1	1	0558 007 203	Shelf		
405	1		1	1	0558 007 188	Control transformer	208/230/400/460V	
405		1			0558 008 546	Control transformer	230/575V	
405	2		2	2	0559 000 065	Wire joint		
406	1	1	1	1	0558 008 454	Fan	162mm 250CFM 230VAC	M1/P3
407				1	0558 007 151	Inductor input		L1
407	1	1	1		0558 007 149	Inductor input		L1
408	1	1	1	1	0558 007 154	Heatsink power		HS1
409	1	1	1	1	0558 007 202	Bracket fan		
410	1	1	1	1	0558 007 196	Base		
411	1	1	1	1	0558 007 201	Bracket fan		
412	1	1	1	1	0558 007 152	Inductor output		L2
412	1	1	1	1	0558 007 892	Switch thermal NIC	80°C SOL DER	TS2
413	1	1	1	1	0558 007 204	Box PCB		

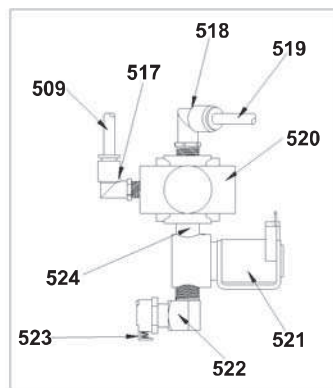
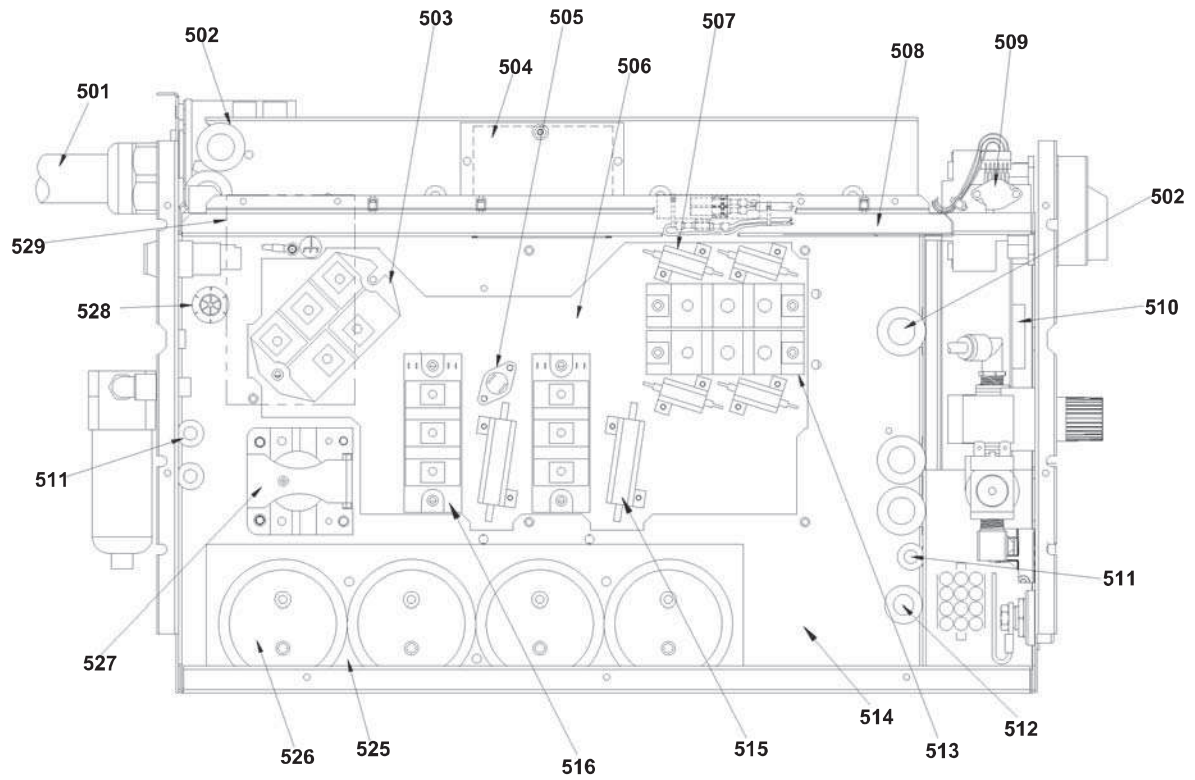


C = component designation in the circuit diagram

Item	Qty 400V	Qty 575V BL	Qty 460V	Qty 230/ 460V	Ordering no.	Denomination	Notes	C
501				1	0558 007 192	Cable input power	4x6 AWG	
501	1	1	1		0558 007 193	Cable input power	4x10 AWG	
502	5	5	5	6	0558 000 584	grommet	Rubber	
503	1	1	1		0558 007 068	Bridge rectifier	110A/1600V, Use with item 550	BR101
503				1	0558 007 077	Bridge rectifier	160A/1600V, Use with item 550	BR101
504	1	1	1	1	0558 008 969	Plate cover heatsink bracket		
505	1	1	1	1	0004 487 055	Switch thermal NIC	80°C terminal	TS1
506	1	1	1	1	0558 007 154	Heatsink power		HS1
507	2	2	2	2	0558 008 081	Resistor pair	200HM 25W, Use with item 550	R5,7, R10,12
508	1	1	1	1	0558 007 888	Brace shelf		
509	1	1	1	1	0558 008 354	Transducer pressure		PT
510	1	1	1	1	0558 038 317	PC board control display		PCB1
511	4	4	4	4	0559 000 053	Grommet	Rubber	
512	1	1	1	1	0559 000 028	Grommet	Rubber	
513	2	2	2	2	0558 009 256	Output diode	100A/600V, Use with item 550	D101,102
514	1	1	1	1	0558 007 200	Bracket heatsink		
515	2	2	2	2	0559 000 088	Resistor	100HM 50W, Use with item 550	R14,15

Item	Ordering no.	Denomination	Notes
550	0192 058 101	Thermal compound	Use item 551 to spread paste
551	0458 910 001	Roller	Use with item 552
552	0458 910 002	Roller handle	

Powercut™ 1600

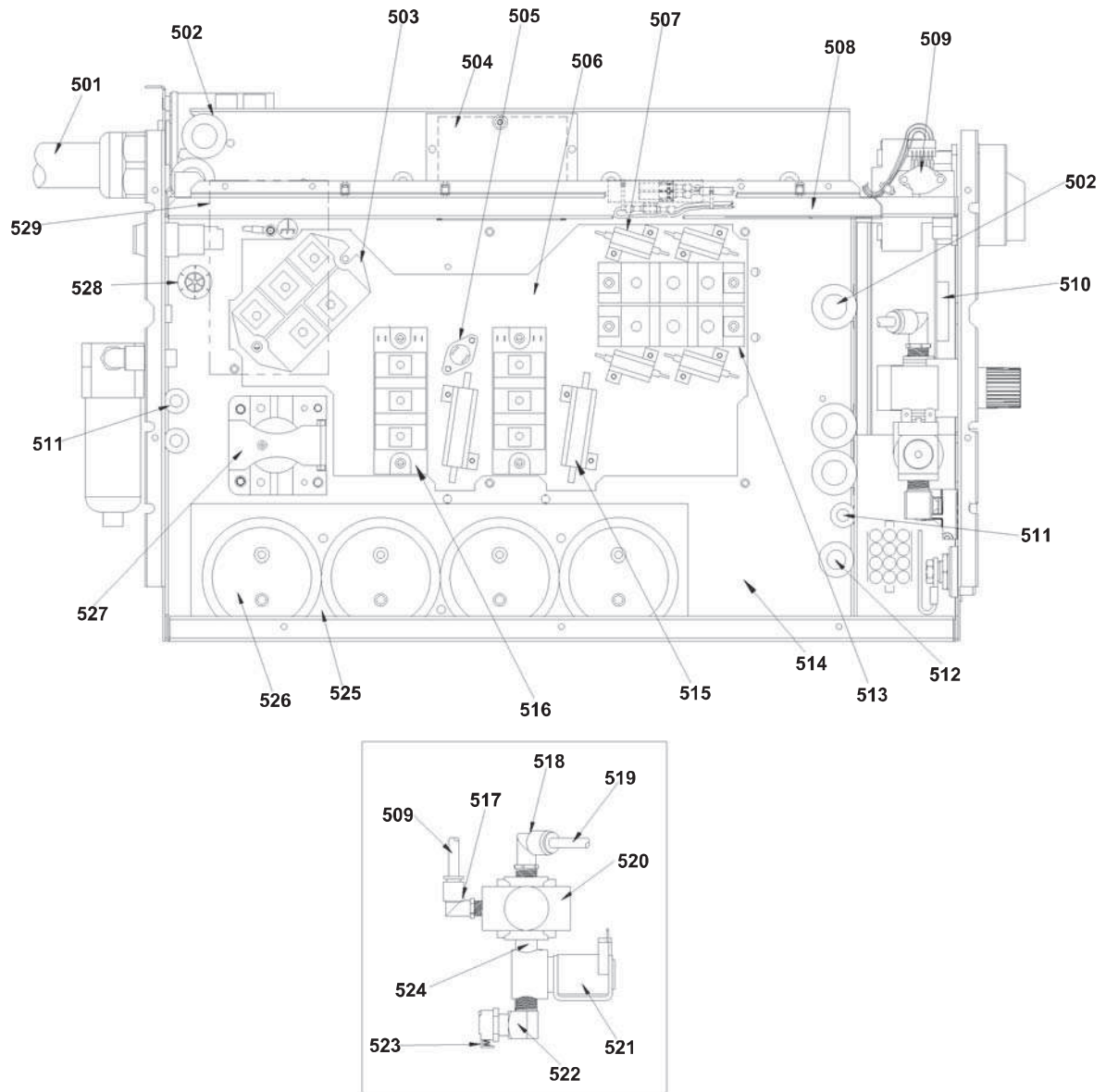


Powercut™ 1600

Item	Qty 400V	Qty 575V BL	Qty 460V	Qty 230/ 460V	Ordering no.	Denomination	Notes	C
516	2		2	2	0558 008 052	Module IGBT	200A/600V, Use with item 550	Q101,102
516		2			0558 009 402	Module IGBT	150A/1200V, Use with item 550	Q101,102
517	1	1	1	1	0558 007 075	Elbow	90°, 1/4 OD tube 1/8 NPTM	
518	2	2	2	2	0558 004 184	Elbow	90°, 5/16 OD tube 1/4 NPTM	
519	0.54	0.54	0.54	0.54	0559 000 185	Hose	Polyurethane 3/16 ID 5/16 OD	
520	1	1	1	1	0558 007 071	Regulator pressure	7-125 PSI	
521	1	1	1	1	0558 007 072	Valve solenoid 3-way	75 PSID 24 VAC	SOL1
522	2	2	2	2	0558 006 292	Elbow street	90° 1/4 NPT	
523	1	1	1	1	0558 005 635	Coupling body QD	1/4 NPTM	
524	1	1	1	1	0558 000 568	Nipple	1/4 NPT 7/8" LG	
525	2	2	2	2	0558 009 167	Sheet sealing capacitors		
526	4	4	4		0558 007 161	Capacitor	4100uF 300VDC	C101-104
526				4	0558 007 162	Capacitor	5400uF 300VDC	C101-104
527	1	1	1		0558 002 576	Relay	24VAC 20A/110VDC	K1
527				1	0004 492 015	Contacteur	24VAC 40A 3P	K1
527				2	0558 007 527	Bussbar	3PH Contacteur	
528	2	2	2	2	0558 007 073	Grommet	Rubber	
529	1	1	1	1	0558 008 065	Sheet insulating	(159x76mm) NOMEX	

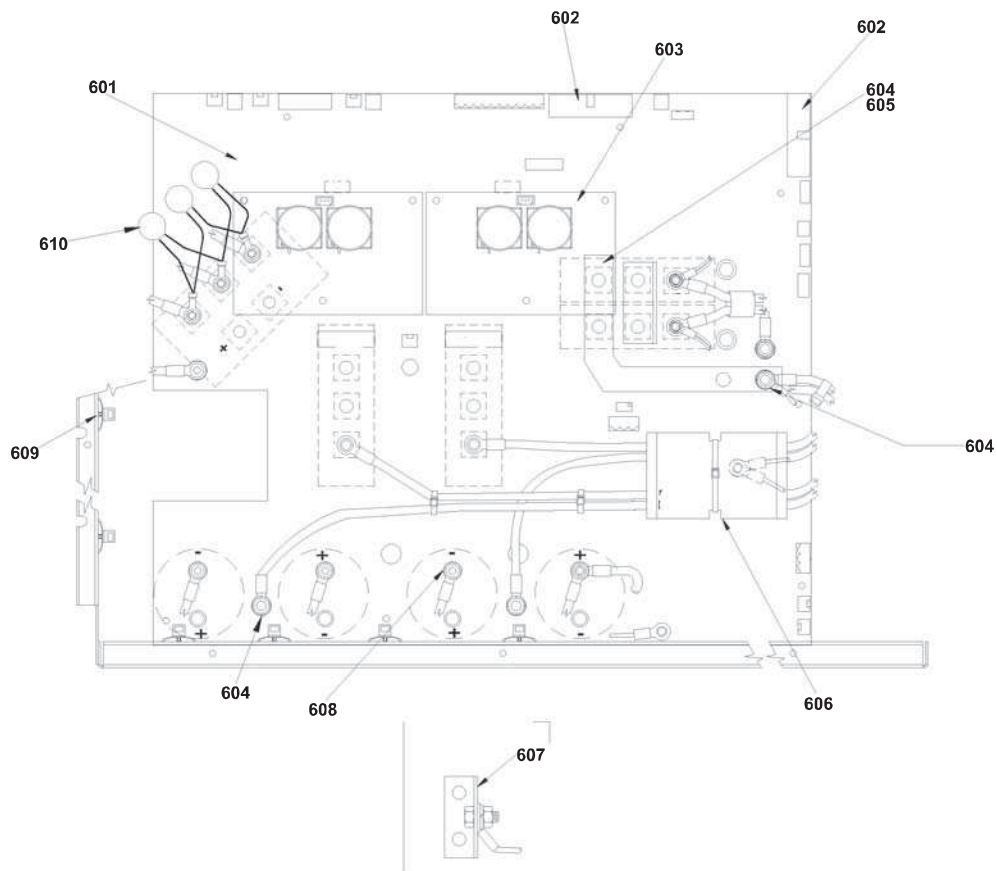
Item	Ordering no.	Denomination	Notes
550	0192 058 101	Thermal compound	Use item 551 to spread paste
551	0458 910 001	Roller	Use with item 552
552	0458 910 002	Roller handle	

Powercut™ 1600







C = component designation in the circuit diagram

Item	Qty 400V	Qty 575V BL	Qty 460V	Qty 230/ 460V	Ordering no.	Denomination	Notes	C
601			1	1	0558 038 323	PC board power	90A 230/460V	PCB2
601	1				0558 038 380	PC board power	90A 400V	PCB2
601		1			0558 038 347	PC board power	90A 575V	PCB2
601	7	7	7	7	0349 312 223	Standoff alum female	#6-32 HEX 1-1/8" LG	
602	2	2	2	2	0558 007 217	Ribbon cable	24PIN	P1/P4, P2/P7
603	2	2	2	2	0558 038 335	PC board driver power		PCB3,4
603	6	6	6	6	0558 008 902	Standoff	Nylon PCB rivet MT 7/8" LG	
603	6	6	6	6	0558 008 903	Rivet snap	Nylon	
604	5	5	5	5	0558 007 159	Spacer alum	1/4 ID 7/16" LG	
605	1	1	1	1	0558 007 180	Bussbar diode	(+)	
606	1	1	1	1	0558 007 891	Spacer cable bundle		
607	1	1	1	1	0558 007 181	Bussbar diode	(-)	
608	4	4	4	4	0558 007 160	Spacer alum	#10 ID 1.0" LG	
609	4	4	4	4	0558 005 154	Cable tie push-in		
610	1	1	1	1	0558 007 738	Varistor kit	625VAC 230J	D1,2,3



Powercut™ 1600

Accessories

	Trolley 0558 007 898
	Gas flow measuring kit 0558 000 739
	Water separator 0558 007 897
	PT38 torch, 15.2 m 0558 006 787

Spare parts list

Edition 20111129



Valid for serial no. 001-xxx-xxxx,034-xxx-xxxx

Ordering no.	Product
0558 007 224	Powercut™ 1300, CE 380/400V
0558 007 634	Powercut™ 1300, 400V
0558 007 227	Powercut™ 1300, BL 575V
0558 008 320	Powercut™ 1300, 460V
0558 007 22A	Powercut™ 1300, BL 230/460V
0558 007 220	Powercut™ 1300, 230/460V

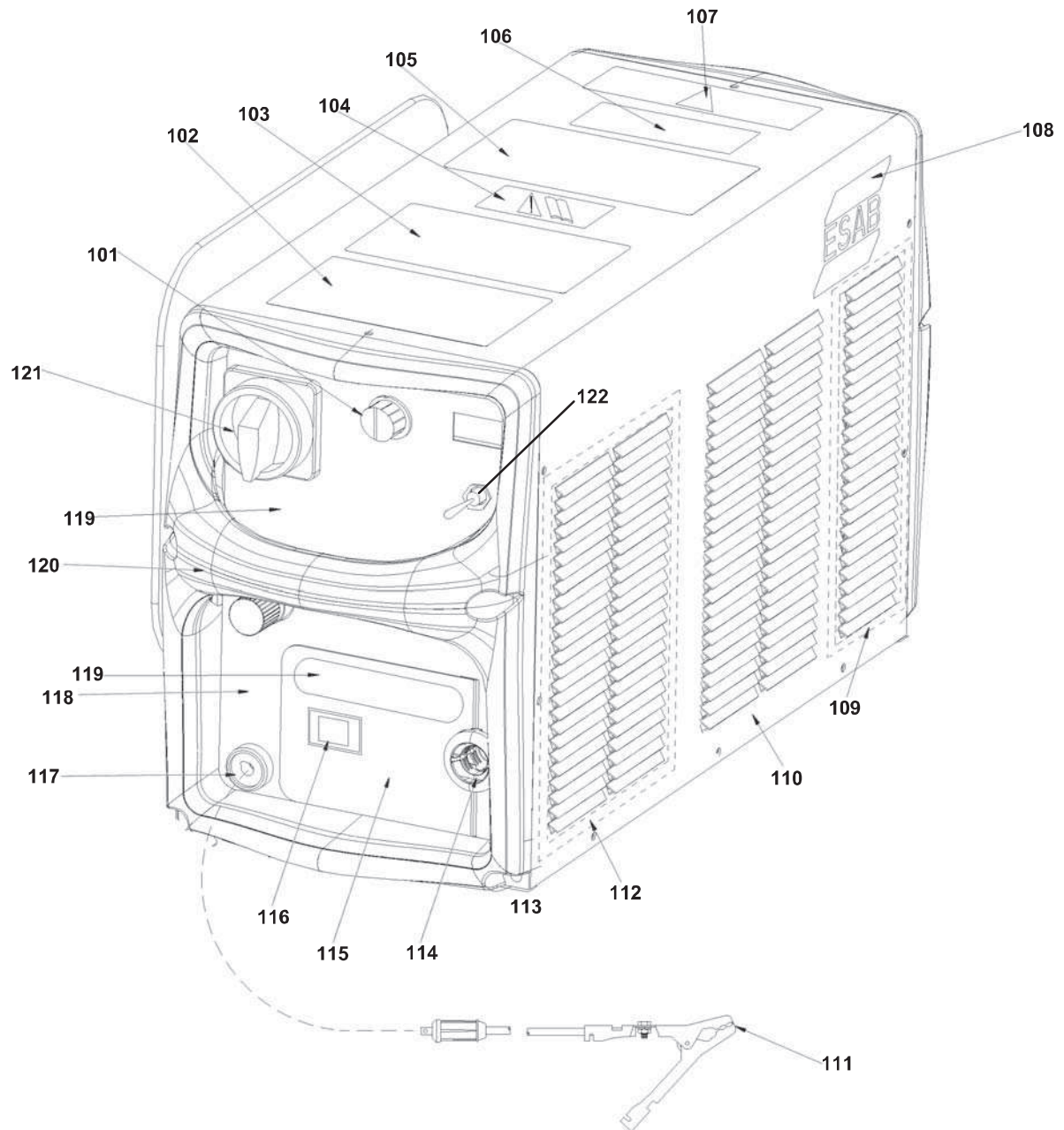
Spare parts are to be ordered through the nearest ESAB agency. Kindly indicate type of unit, serial number, denominations and ordering numbers according to the spare parts list.

Maintenance and repair work should be performed by an experienced person, and electrical work only by a trained electrician. Use only recommended spare parts.

C = component designation in the circuit diagram

Item	Qty 380/ 400V CE	Qty 400V	Qty 575V BL	Qty 460V	Qty 230/ 460V BL	Qty 230/ 460V	Ordering no.	Denomination	Notes	C
101	1	1	1	1	1	1	0558 001 818	Knob	34.7mm	
102								Label warning general arc weld and cut		
103								Label warning general arc weld and cut FR		
104								Label symbol caution read manual		
105								Label consumable breakdown	PT-38 BL	
106								Label warning OEM safety interlock BL		
107								Label danger high voltage BL		
108								Label ESAB die cut		
109	1	1	1	1	1	1	0558 009 122	Screen splash	Small	
110	1	1	1	1	1	1	0558 007 199	Cover top		
111	1	1	1	1	1	1	0558 007 195	Cable work		
112	1	1	1	1	1	1	0558 009 141	Screen splash	Large	
113	4	4	4	4	4	4	0558 008 603	Foot	Rubber	
114	2	2	2	2	2	2	0558 007 460	Strain relief half torch cable		
115	1	1	1	1	1	1	0558 007 205	Door access		
116	1	1	1	1	1	1	0558 007 069	Latch sliding		
117	1	1	1	1	1	1	0558 007 074	Socket panel	250A	WORK
118	1	1	1	1	1	1	0558 007 197	Panel front		
119			1	1	1	1	0558 954 069	Overlay front panel BL		
119	1	1					0558 954 070	Overlay front panel		
120	2	2	2	2	2	2	0558 006 911	End cap/ handle		
121	1	1	1	1	1	1	0558 005 434	Switch power	60A/600V AC 3PH	SW1
122	1						0558 000 596	Switch seal		

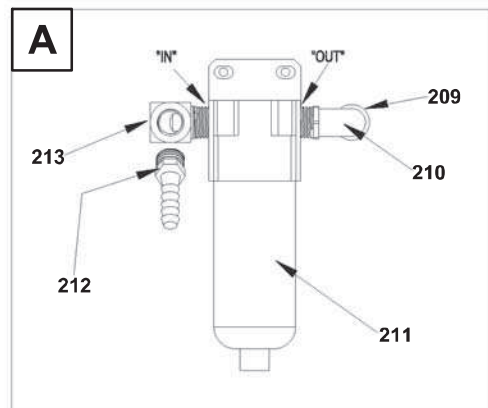
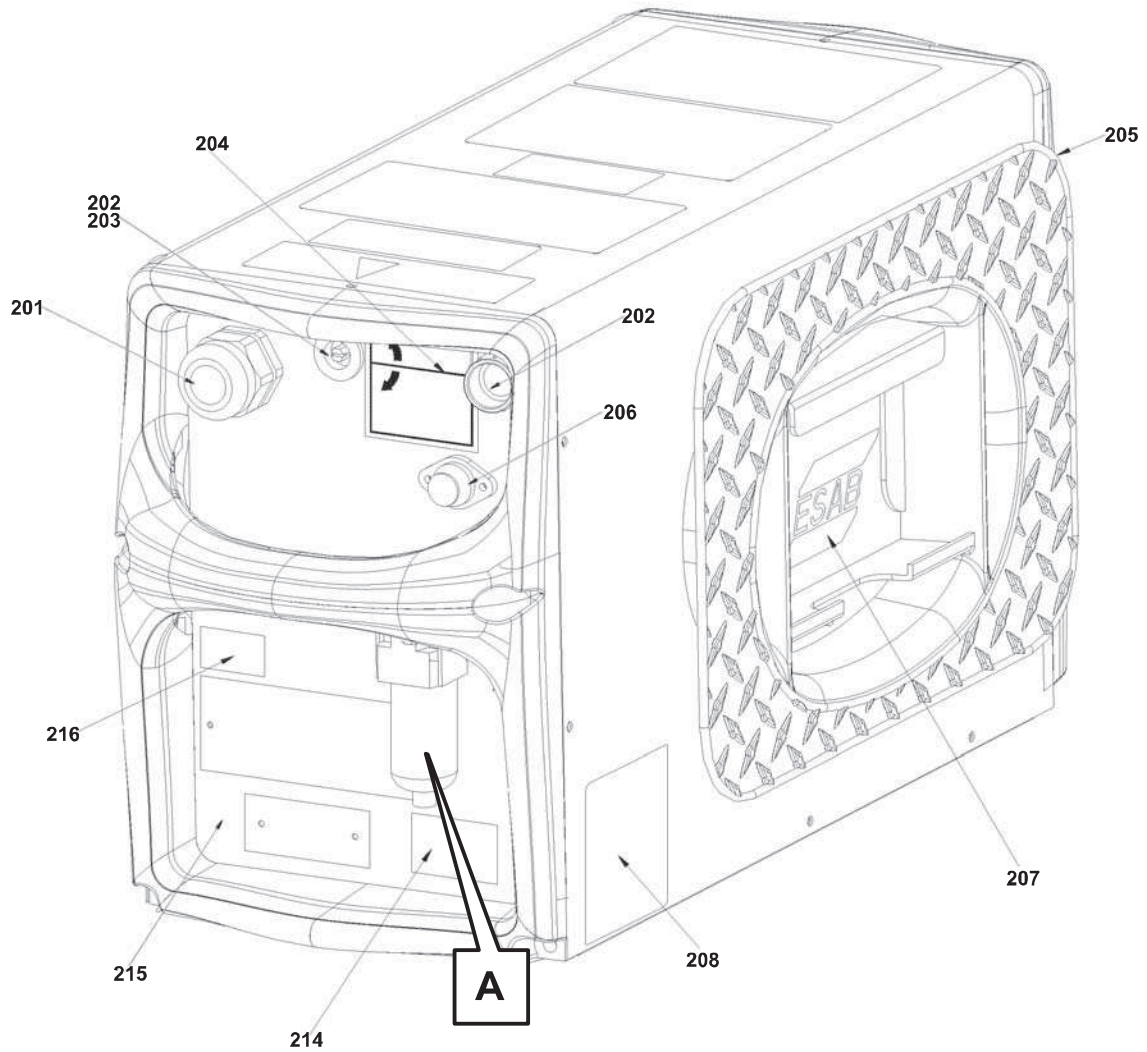
Powercut™ 1300



C = component designation in the circuit diagram

Item	Qty 380/ 400V CE	Qty 400V	Qty 575V BL	Qty 460V	Qty 230/ 460V BL	Qty 230/ 460V	Ordering no.	Denomination	Notes	C
201	1	1	1	1	1	1	0558 002 581	Strain relief sealed	1" nylon	
201	2	2	2	2	2	2	0558 004 266	Lock nut conduit	1"	
202	2	2	2	2	1	1	0559 000 127	Plug hole		
203	5	5	5	5	6	6	0558 000 584	Grommet	Rubber	
204								Label caution voltage select switch BL		
205	1	1	1	1	1	1	0558 006 909	Torch wrap		
205	4	4	4	4	4	4	0349 312 273	Nut acorn cap	Nylon 1/4-20	
206	1						0349 312 614	O-ring		
207								Label ESAB die cut		
208								Label customer assistance		
209	1	1	1	1	1	1	0559 000 068	Bushing snap		
210	2	2	2	2	2	2	0558 004 184	Elbow	90°, 5/16 OD tube 1/4 NPTM	
210	0.54	0.54	0.54	0.54	0.54	0.54	0559 000 185	Hose	Polyurethane 3/16 ID 5/16 OD	
211	1	1	1	1	1	1	0558 007 076	Filter air		
212	1						0349 312 612	Quick connector		
213	2	2	2	2	2	2	0558 006 292	Elbow street	90° 1/4 NPT	
214								Label patent power supplies BL		
215	1	1	1	1	1	1	0558 007 198	Panel rear silk screened		
216								Label CSA	LR-30071 NRTL/C	

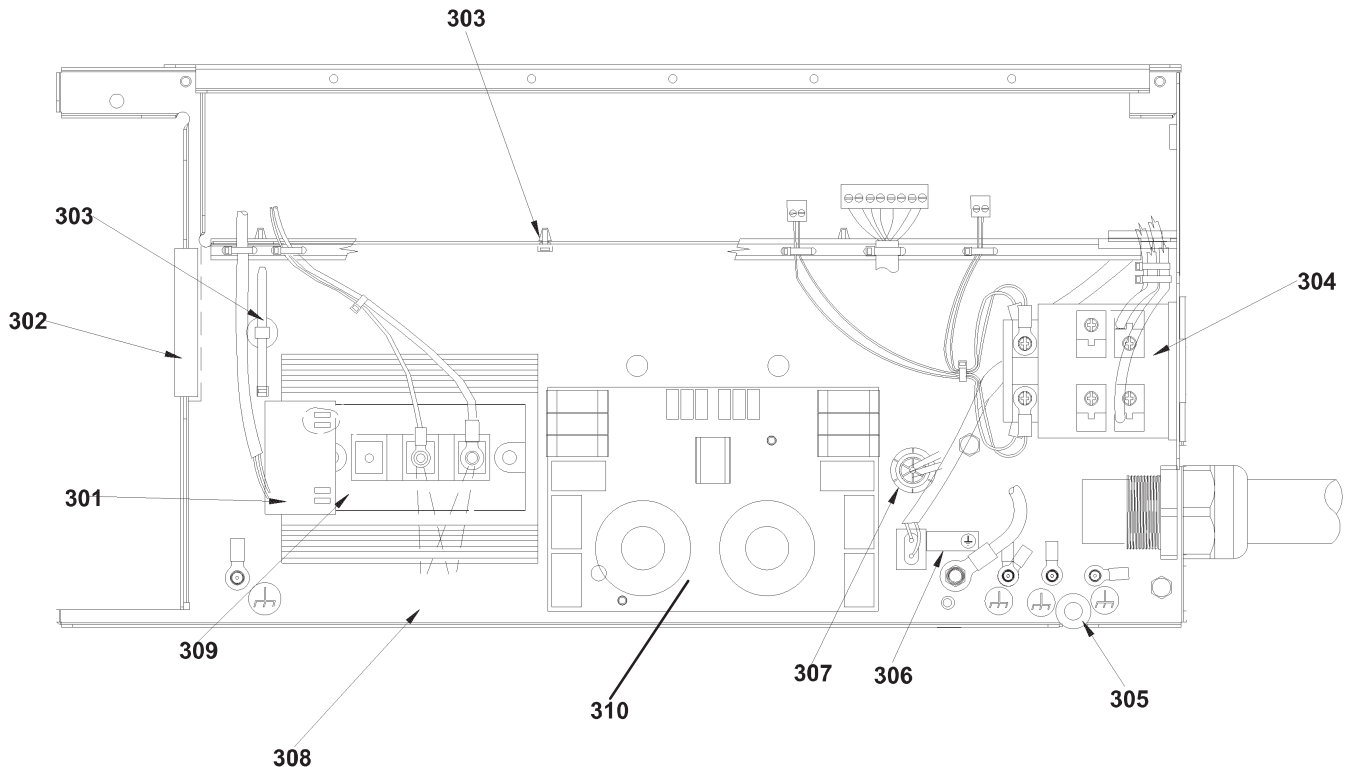
Item	Ordering no.	Denomination	Notes
250	0192 058 101	Thermal compound	Use item 251 to spread paste
251	0458 910 001	Roller	Use with item 252
252	0458 910 002	Roller handle	



C = component designation in the circuit diagram

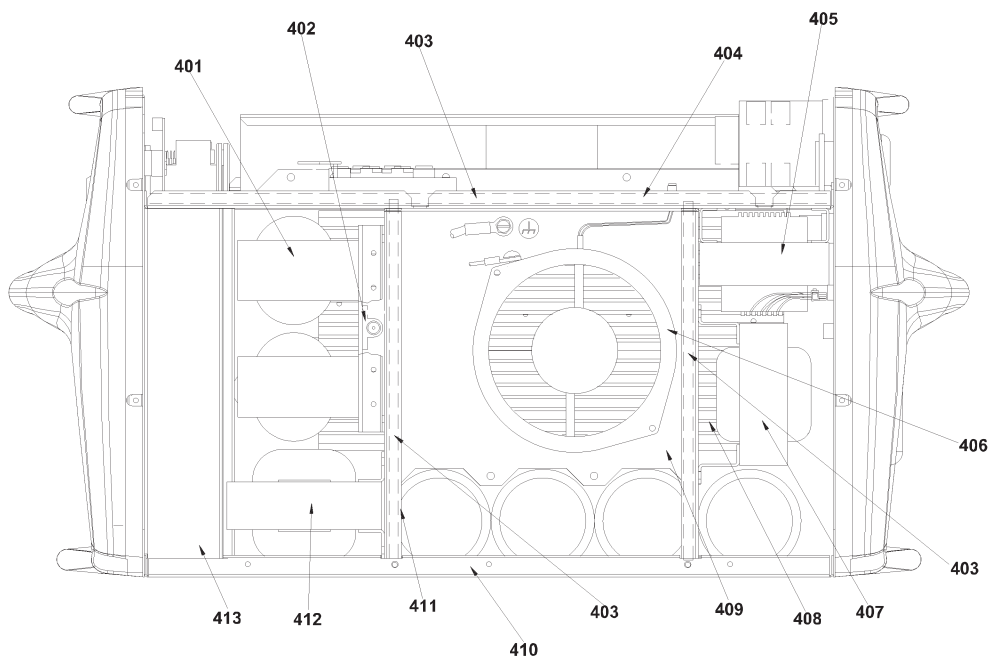
Item	Qty 380/ 400V CE	Qty 400V	Qty 575V BL	Qty 460V	Qty 230/ 460V BL	Qty 230/ 460V	Ordering no.	Denomination	Notes	C
301	1	1	1	1	1	1	0558 038 344	PC board driver pilot arc		PCB5
302	0.06	0.06	0.06	0.06	0.06	0.06	0349 487 121	Grommet strip	Rubber	
303	5	5	5	5	5	5	0558 008 611	Cable tie swivel base		
304					1	1	0558 007 183	Switch voltage selector		SW2
305	4	4	4	4	4	4	0559 000 053	Grommet	Rubber	
306								Label PE ground		
307	2	2	2	2	2	2	0558 007 073	Grommet	Rubber	
308	1	1	1	1	1	1	0558 007 895	Varistor kit	275VAC 140J	D4,5
308	1	1	1	1	1	1	0558 007 886	Module IGBT	50A/1200V, Use with item 350	Q103
309	1	1	1	1	1	1	0558 008 823	Heatsink PA IGBT		HS2
310	1						0558 009 269	Insulator plte emc filter pcb		
310	1						0558 038 378	PC board EMC filter		PCB7

Item	Ordering no.	Denomination	Notes
350	0192 058 101	Thermal compound	Use item 351 to spread paste
351	0458 910 001	Roller	Use with item 352
352	0458 910 002	Roller handle	



C = component designation in the circuit diagram

Item	Qty 380/ 400V CE	Qty 400V	Qty 575V BL	Qty 460V	Qty 230/ 460V BL	Qty 230/ 460V	Ordering no.	Denomination	Notes	C
401				1	1	1	0558 007 189	Main transformer	208/230V	
401			1				0558 007 191	Main transformer	575V	
401	1	1					0558 007 190	Main transformer	400V	
402	1	1	1	1	1	1	0559 000 091	Resistor	0.1OHM 25W	
403	0.95	0.95	0.95	0.95	0.95	0.95	0349 310 691	Strip	Rubber foam	
404	1	1	1	1	1	1	0558 007 203	Shelf		
405	1	1		1	1	1	0558 007 188	Control transformer	208/230/400/ 460V	
405			1				0558 008 546	Control transformer	230/575V	
405	2	2		2	2	2	0559 000 065	Wire joint		
406	1	1	1	1	1	1	0558 008 454	Fan	162mm 250CFM 230VAC	M1/P3
407	1						0558 008 732	Inductor input		L1
407		1	1	1			0558 007 149	Inductor input		L1
407					1	1	0558 007 151	Inductor input		L1
408	1	1	1	1	1	1	0558 007 154	Heatsink power		HS1
409	1	1	1	1	1	1	0558 007 202	Bracket fan		
410	1	1	1	1	1	1	0558 007 196	Base		
411	1	1	1	1	1	1	0558 007 201	Bracket fan		
412	1	1	1	1	1	1	0558 007 152	Inductor output		L2
412	1	1	1	1	1	1	0558 007 892	Switch thermal NIC	80°C SOL DER	TS2
413	1	1	1	1	1	1	0558 007 204	Box PCB		

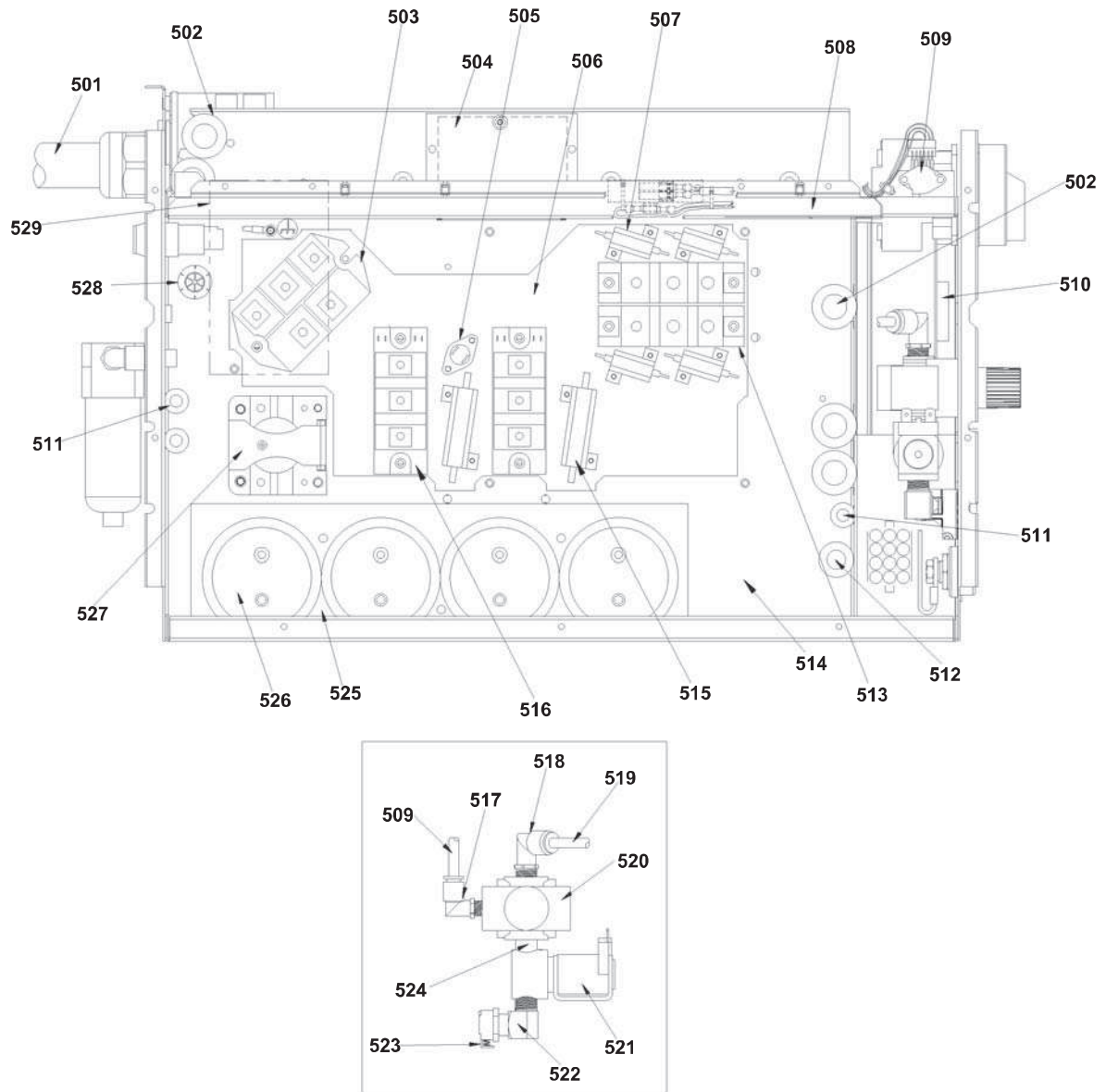


C = component designation in the circuit diagram

Item	Qty 380/ 400V CE	Qty 400V	Qty 575V BL	Qty 460V	Qty 230/ 460V BL	Qty 230/ 460V	Ordering no.	Denomination	Notes	C
501	1						0349 312 598	Cable input power	4x6mm with plug 32A	
501		1	1	1			0558 007 193	Cable input power	4x10 AWG	
501					1	1	0558 007 192	Cable input power	4x6 AWG	
502	5	5	5	5	6	6	0558 000 584	Grommet	Rubber	
503	1	1	1	1	1	1	0558 007 068	Bridge rectifier	110A/1600V, Use with item 550	BR101
504	1	1	1	1	1	1	0558 008 969	Plate cover heatsink bracket		
505	1	1	1	1	1	1	0004 487 055	Switch thermal NIC	80°C terminal	TS1
506	1	1	1	1	1	1	0558 007 154	Heatsink power		HS1
507	2	2	2	2	2	2	0558 008 081	Resistor pair	20OHM 25W, Use with item 550	R5,7, R10,12
508	1	1	1	1	1	1	0558 007 888	Brace shelf		
509	1	1	1	1	1	1	0558 008 354	Transducer pressure		PT
510	1	1	1	1	1	1	0558 038 317	PC board control display		PCB1
511	4	4	4	4	4	4	0559 000 053	Grommet	Rubber	
512	1	1	1	1	1	1	0559 000 028	Grommet	Rubber	
513	2	2	2	2	2	2	0558 009 256	Output diode	100A/600V, Use with item 550	D101,102
514	1	1	1	1	1	1	0558 007 200	Bracket heatsink		
515	2	2	2	2	2	2	0559 000 088	Resistor	10OHM 50W, Use with item 550	R14,15

Item	Ordering no.	Denomination	Notes
550	0192 058 101	Thermal compound	Use item 551 to spread paste
551	0458 910 001	Roller	Use with item 552
552	0458 910 002	Roller handle	

Powercut™ 1300

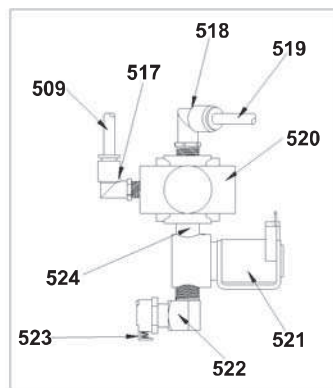
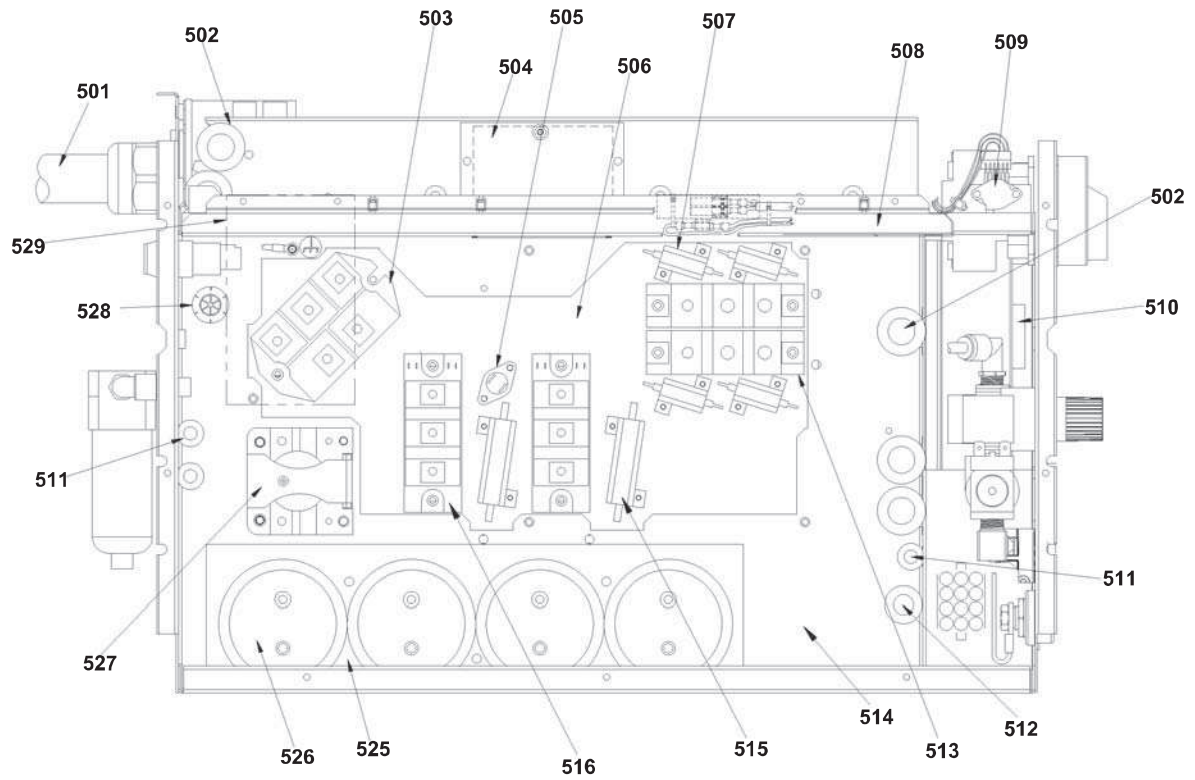


Powercut™ 1300

Item	Qty 380/ 400V CE	Qty 400V	Qty 575V BL	Qty 460V	Qty 230/ 460V BL	Qty 230/ 460V	Ordering no.	Denomination	Notes	C
516	2	2		2	2	2	0558 006 151	Module IGBT	200A/600V, Use with item 550	Q101,102
516			2				0558 009 402	Module IGBT	150A/1200V, Use with item 550	Q101,102
517	1	1	1	1	1	1	0558 007 075	Elbow	90°, 1/4 OD tube 1/8 NPTM	
518	2	2	2	2	2	2	0558 004 184	Elbow	90°, 5/16 OD tube 1/4 NPTM	
519	0.54	0.54	0.54	0.54	0.54	0.54	0559 000 185	Hose	Polyurethane 3/16 ID 5/16 OD	
520	1	1	1	1	1	1	0558 007 071	Regulator pressure	7-125 PSI	
521	1	1	1	1	1	1	0558 007 072	Valve solenoid 3-way	75 PSID 24 VAC	SOL1
522	2	2	2	2	2	2	0558 006 292	Elbow street	90° 1/4 NPT	
523	1	1	1	1	1	1	0558 005 635	Coupling body QD	1/4 NPTM	
524	1	1	1	1	1	1	0558 000 568	Nipple	1/4 NPT 7/8" LG	
525	2	2	2	2	2	2	0558 009 167	Sheet sealing capacitors		
526	4	4	4	4	4	4	0558 007 161	Capacitor	4100uF 300VDC	C101-104
527	1	1	1	1	1	1	0558 002 576	Relay	24VAC 20A/110VDC	K1
528	2	2	2	2	2	2	0558 007 073	Grommet	Rubber	
529	1	1	1	1	1	1	0558 008 065	Sheet insulating	(159x76mm) NOMEX	

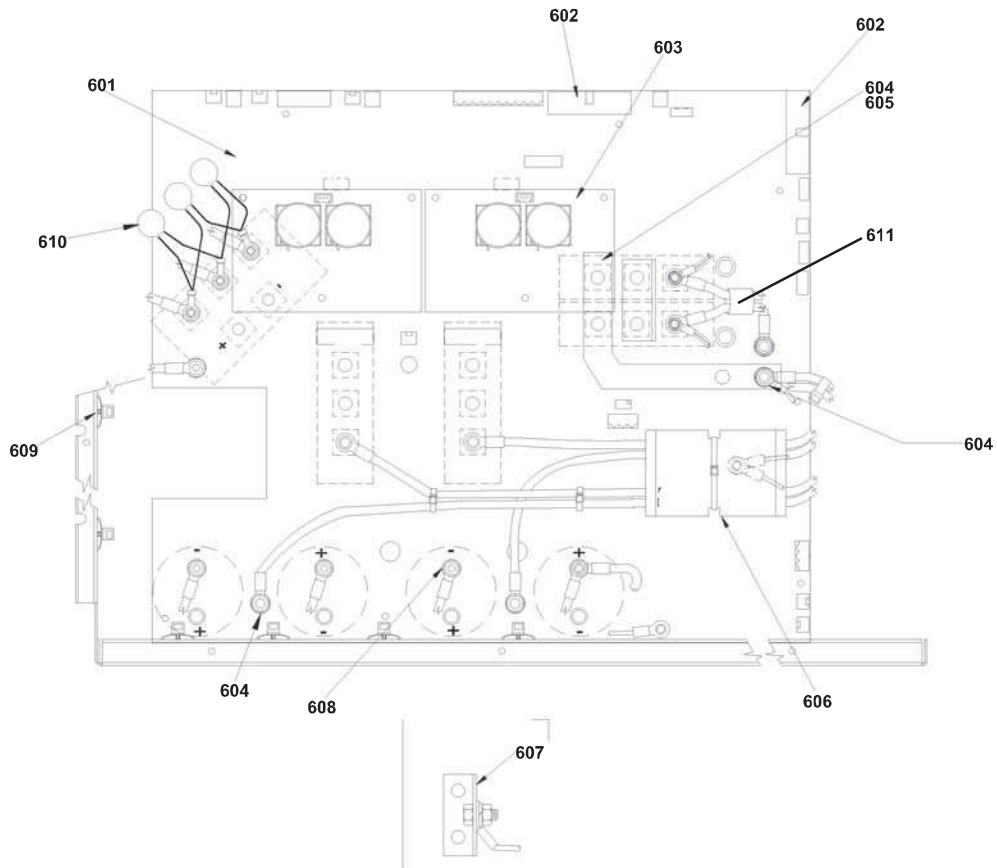
Item	Ordering no.	Denomination	Notes
550	0192 058 101	Thermal compound	Use item 551 to spread paste
551	0458 910 001	Roller	Use with item 552
552	0458 910 002	Roller handle	

Powercut™ 1300



C = component designation in the circuit diagram

Item	Qty 380/ 400V CE	Qty 400V	Qty 575V BL	Qty 460V	Qty 230/ 460V BL	Qty 230/ 460V	Ordering no.	Denomination	Notes	C
601				1	1	1	0558 038 315	PC board power	70A 230/460V	
601	1	1					0558 038 379	PC board power	70A 400V	
601			1				0558 038 346	PC board power	70A 575V	
602	2	2	2	2	2	2	0558 007 217	Ribbon cable	24PIN	P1/P4, P2/P7
603	2	2	2	2	2	2	0558 038 335	PC board driver power		PCB3,4
603	6	6	6	6	6	6	0558 008 902	Standoff	Nylon PCB rivet MT 7/8" LG	
603	6	6	6	6	6	6	0558 008 903	Rivet snap	Nylon	
604	5	5	5	5	5	5	0558 007 159	Spacer alum	1/4 ID 7/16" LG	
605	1	1	1	1	1	1	0558 007 180	Bussbar diode	(+)	
606	1	1	1	1	1	1	0558 007 891	Spacer cable bundle		
607	1	1	1	1	1	1	0558 007 181	Bussbar diode	(-)	
608	4	4	4	4	4	4	0558 007 160	Spacer alum	#10 ID 1.0" LG	
609	4	4	4	4	4	4	0558 005 154	Cable tie push-in		
610	1	1	1	1	1	1	0558 007 738	Varistor kit	625VAC 230J	D1,2,3
611	1						0558 009 403	Ferrite core	25.4x31.8x19.1mm	







Powercut™ 1300

Qty 380/ 400V CE	Qty 400V	Qty 575V BL	Qty 460V	Qty 230/ 460V BL	Qty 230/ 460V	Ordering no.	Denomination	Notes
1	1	1	1	1	1	0558 007 206	Wire kit	Basic control
				1	1	0558 007 207	Wire kit	Voltage selector switch
				1	1	0558 007 208	Wire kit	Dual voltage power
1	1	1	1			0558 007 209	Wire kit	Single voltage power
1						0558 007 210	Wire kit	CE 400V

Powercut™ 1300

Accessories

	Trolley 0558 007 898
	Gas flow measuring kit 0558 000 739
	Water separator 0558 007 897
	PT38 torch, 15.2 m 0558 006 787

NOTE! If any ordering number is unavailable please contact ESAB product responsible.

